



One arm,  
two monitors,  
outstanding  
ergonomics

# ZGX Monitor Arm

Whether for new applications or as an extension: the ZGX is the perfect extension to the ZG1. With its stable cross bar, the Monitor Arm can easily support two monitors. The monitors can be adjusted easily and, as ever, ensure ergonomics in the workplace. And the concealed cable guide still makes sure your desk remains tidy. The Monitor Arm is available in the designer colours silver-white and black.

Familiar functionality: the arm can even support large monitors (<5 kg, <27") with ease. A practical handle is used to move the monitors into your chosen position and ensures secure positioning wherever you want the monitors. 360° rotation with smart 180° lock feature completes the manoeuvrability package. The ZGX cross bar is easy to mount.

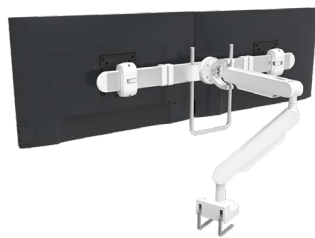
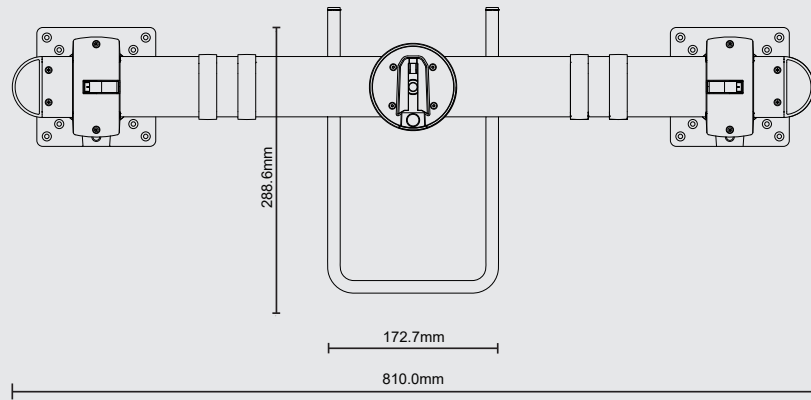
## ADVANTAGES

- **Easy mounting**
- **High load capacity of up to 10 kg**
- **Intuitive adjustment**
- **Convenient manoeuvrability**
- **Concealed cabling**

**BACH  
MANN**  
We power your life.



Complete flexibility in **mobility**



silver-white



black

## ZGX Monitor Arm

| # |  |
|---|--|
|---|--|

**ZGX Monitor Arm** | Dimensions: (W x H): 810x289 mm | Monitor size 17"-27" | Load capacity up to 10kg |  
Monitor not included in scope of delivery

|         |                               |
|---------|-------------------------------|
| 945.005 | ZGX Monitor Arm black*        |
| 945.006 | ZGX Monitor Arm silver-white* |

\* Can only be used in combination with ZG1



For more information please visit [www.bachmann.com](http://www.bachmann.com).